



# ARENA FOOTINGS BRACKET

## BUCKLEY ARENA FOOTINGS BRACKET INSTALLATION INSTRUCTIONS

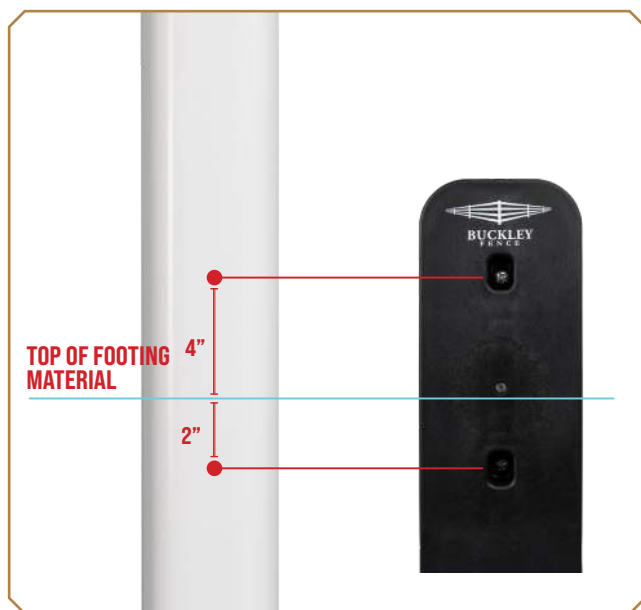
Arena Footing Brackets attach to Buckley Fence to keep expensive footing material contained in arenas. Eliminates the need for wooden boards, and offers more longevity and ease of installation. Buckley offers linear arena footings brackets for straight fence lines as well as angular arena footings brackets for any fence line curvature from a 90 degree corner to a 180 degree straight line. We recommend using our linear footing bracket for straight line runs since they are simpler and lower cost.

## REQUIRED MATERIALS

1. Step drill to ½" hole
2. String
3. Marking pen

### 1 MARKING THE DRILL HOLES

1. Determine what level the top of the footing's material will be at. String a line down the fence line at this level.
2. Measure 4" above the string and mark the post.
3. Measure 2" below the string and mark the post. These lines will be where you will drill into the post to mount the bracket. On corner posts, drill these holes at the mid point of the post corner radius.



Linear Footings Bracket

Figure 1



Angular Footings Bracket

Figure 2

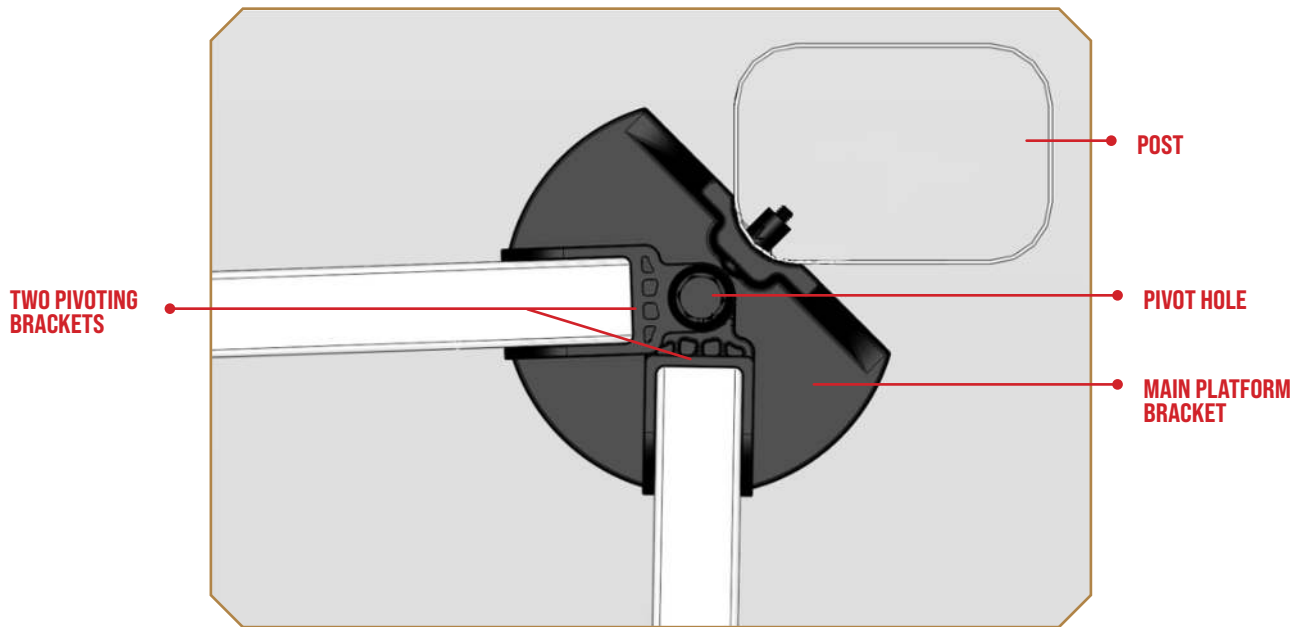


Figure 3

## 2 INSTALLING THE LINEAR BRACKET

1. Using a step drill, drill one ½” hole on each marked line (4” above top level of footing material and 2” below top level of footing material). Each hole should be drilled approximately on the center of the post face (2 ⅞” from the edge of the post). (Figure 1) It is okay if the drill walks off the line you measured since the mounting holes are slotted to provide minor adjustments.
2. Once the holes are drilled, insert the rubber well nuts.
3. Place the mounting bracket over the well nuts and insert one of the screws into the top slotted hole. Screw into the well nut; do not tighten down fully.
4. Insert the second screw into the bottom slot on the mounting bracket and tighten fully. Then tighten the top screw fully.
5. Insert rails into brackets from the top, two rails per side. End posts will only use one side of the bracket.



### 3 INSTALLING THE ANGULAR BRACKET

1. Using a step drill, drill one ½” hole on each marked line (4” above top level of footing material and 2” below top level of footing material). Each hole should be drilled approximately at the center of the post corner radius as shown in the diagram. (Figure 2 & 3) It is okay if the drill walks off the line you measured since the mounting holes are slotted to provide minor adjustments.
2. Once the holes are drilled, insert the rubber well nuts.
3. Place the main platform bracket over the well nuts and insert one of the screws into the top slotted hole. Screw into the well nut; do not tighten down fully.
4. Insert the second screw into the bottom slot on the main platform bracket and tighten fully. Then tighten the top screw fully.
5. Once the main platform bracket is installed on the corner, slide the two pivoting brackets onto the main platform bracket. (Figure 3 & 4)
6. Drop the screw into the pivot hole such that it engages the base. The screw functions as a pivot only and does not require a nut or torquing.
7. Insert the footing rails into the angular brackets from the top. You can use one or two rails for this purpose depending on the height you want the top of the footing material.



Figure 4

PIVOTING BRACKET

MAIN PLATFORM BRACKET

