

DUAL GATE ANCHOR

2 DROP ANCHORS FOR DUAL BUCKLEY FENCE GATES INSTALLATION

1. Clamp the drop anchor housings onto the gate ends using two of the three fastener sets (sets include 2 barrel nuts and four $\frac{3}{4}$ " bolts). The nuts fit closely to the top and bottom surfaces of the bottom rail (Figure 2).
2. Force the inside surface of the mount housing tight to the gate face. Torque the screws until tight. Assure the housing is square to the gate.
3. Swing the two gates into the optimal closed position. Look down the gates to assure they are in line.
4. Drop the drop tube with handle to the ground. Mark the exact spot for the ground tubes.
5. Install the ground tubes in the ground vertically, either by driving them down or digging a hole and concreting them in place. If concrete is used, tape the tube bottom during fill to keep the concrete out. Assure the drop pin can penetrate the ground tube to the earth bottom.
6. The drop tubes with handles are made extra long for various terrain issues. Cut the bottom of the drop handle tube off to suit your ground tube position (Figure 3).
7. Once the ground tubes are set, clear out the dirt from inside the tubes and drop the handles into the tube. If the lock handle does not drop fully in the housing slot, cut the drop tube bottom to allow it to fully engage the handle in the handle slot.
8. Lift the drop pins to the up and twist in order for the gates to swing.
9. Ensure all fasteners are tightened.

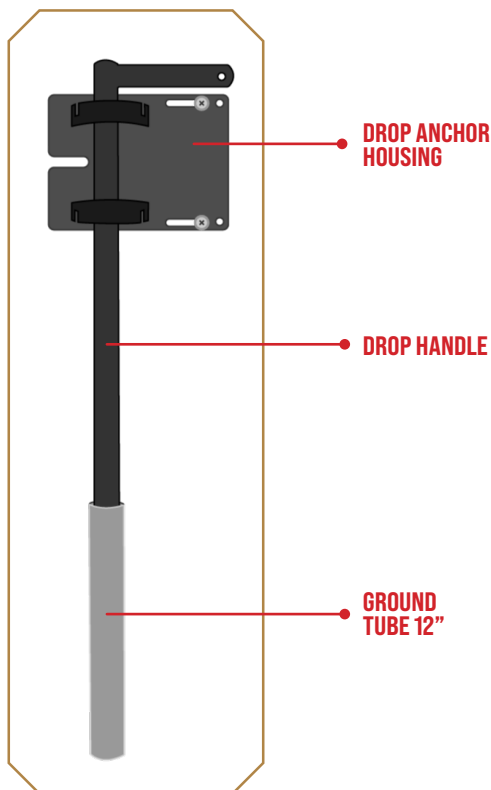


Figure 1

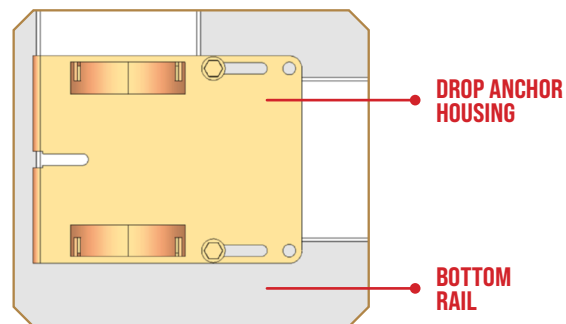


Figure 2

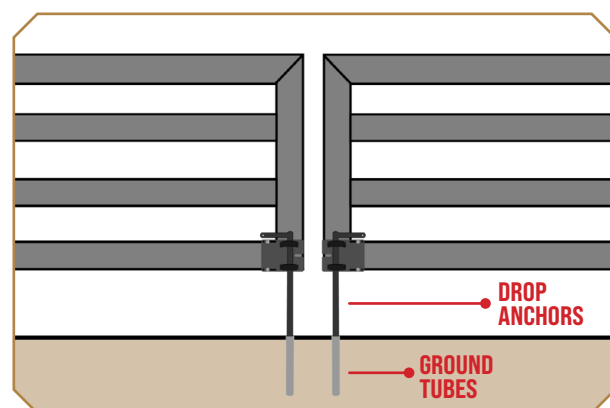


Figure 3